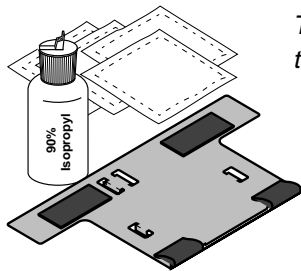


Phaser 480 Quick Cleaning Procedure

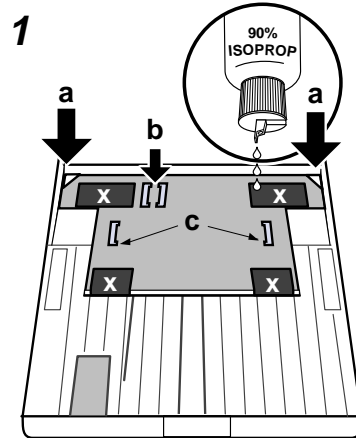
To improve print quality and eliminate paper jams, your Phaser 480 printer should be thoroughly cleaned every time you replace the transfer roll. The procedure below explains how to clean your Phaser 480 printer. Try this procedure if printing is streaked or media feeds improperly.

If you do not have a cleaning kit, call Tektronix at 1-800-835-6100, and order the Phaser 480 Cleaning Kit, part number: 016-1287-00.

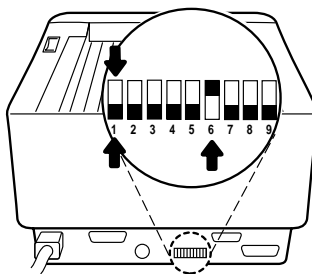
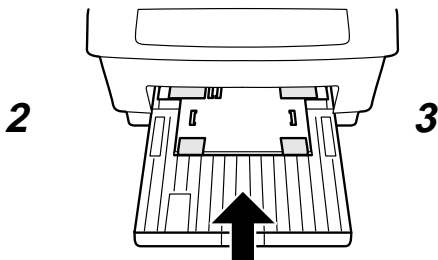


To perform Quick Cleaning you will need these items, found in your cleaning kit:

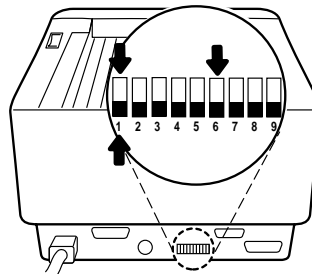
- 1 Lint-free wipes
- 2 Bottle, filled with 90% isopropyl alcohol
- 3 Cleaning sheet (reusable)



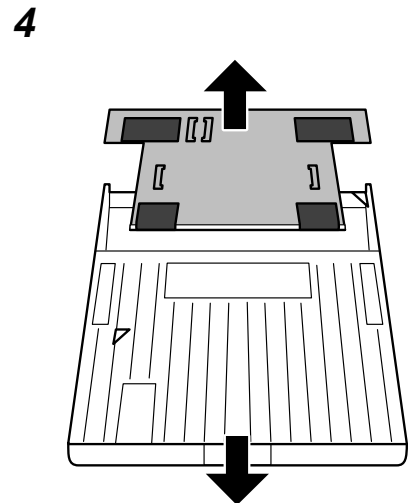
- Remove paper from the paper tray and place on a clean, dust free surface.
- Replace the cover.
- Place the cleaning sheet on the cover of the **empty** paper tray:
 - press the corners of the cleaning sheet under the hooks (a);
 - press the flaps into the opening in the tray (b) and under tray cover (c);
- Dampen each of the 4 pads with at least 20 drops of alcohol (x).



- Replace the paper tray.
- At the back of the printer, flip Switch 6 **up**.
- Flip Switch 1 **up**, then **down**.
- Wait for the motor noises (motion) to stop.
- Repeat toggle of Switch 1 three more times, waiting each time for motor to stop.

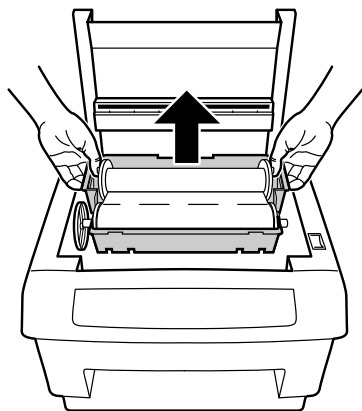


- Flip Switch 6 **down**.
- Toggle Switch 1 **up**, then **down**.



- Remove the paper tray.
- Remove the cleaning sheet.

5



- Open the top cover.
- Remove the transfer roll tray.

6



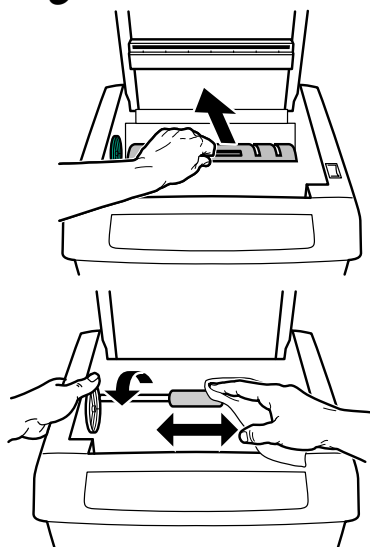
- Dampen a lint-free wipe with approximately ten drops of isopropyl alcohol.
- Or use a pre-moistened alcohol wipe.

7



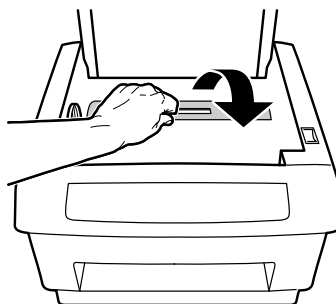
- Clean the thermal head.
- WARNING - head may be warm!**

8



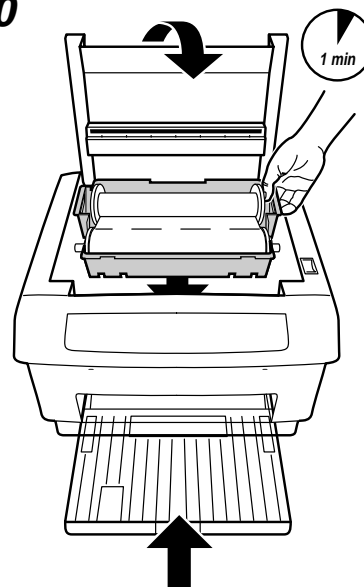
- Pushing towards the back of the printer, open the gray plastic paper guide to expose the roller underneath.
- Vigorously clean the roller inside.
- Turn the roller to reach all surfaces.

9



- Close the paper guide.

10



- Replace the transfer roll tray.
- Close the cover.
- Put paper in tray and replace tray.
- Wait approximately 1 minute for Ready light.